



PROTECT

combined with active carbon



698716

FH207



CA

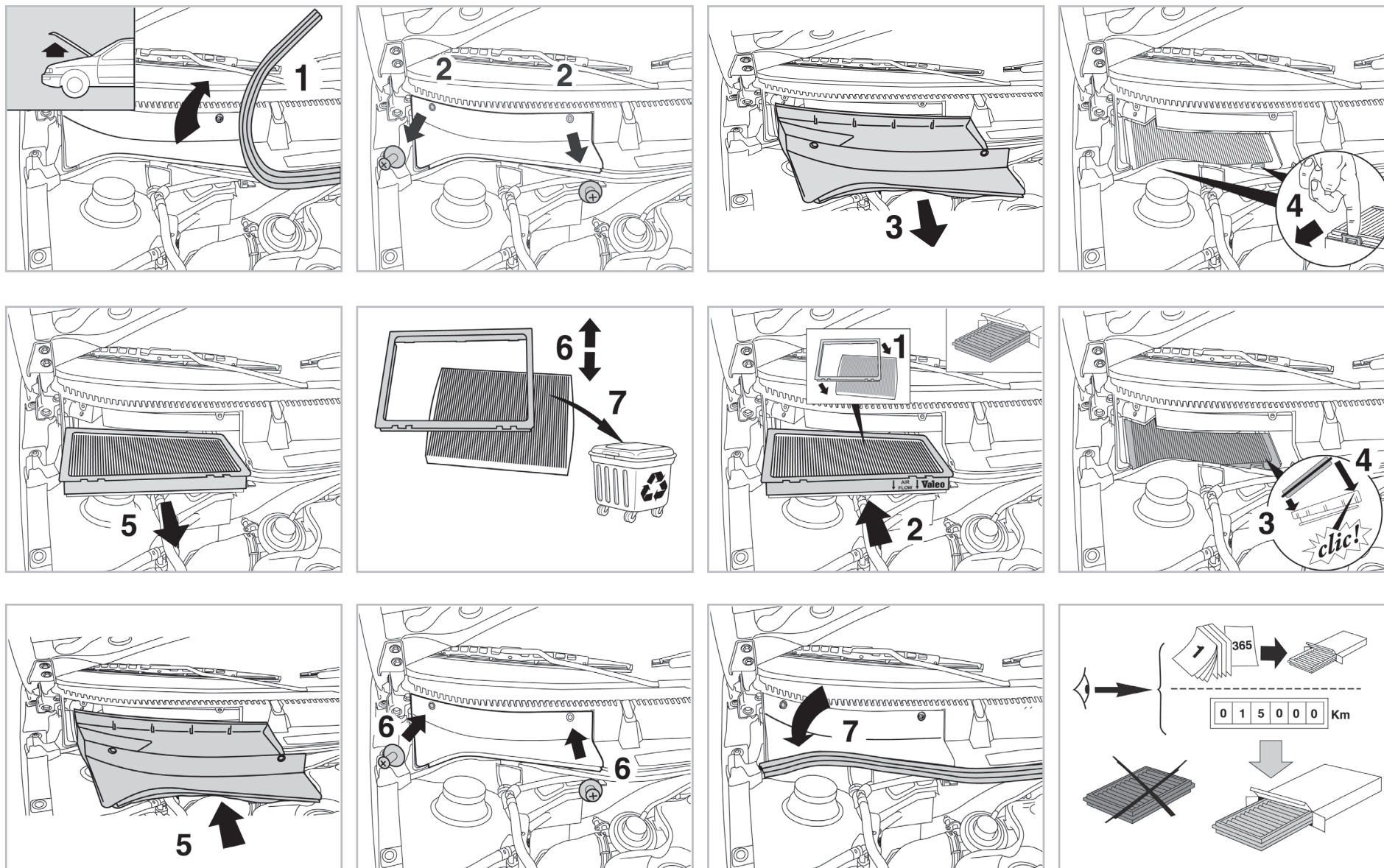
WANT TO KNOW MORE?



www.valeo-techassist.com

FOR SEAT

AROSA A/C+/- (09/00 >) / LEON A/C+/- (08/99 > 09/05)



Valeo Service - Société par Actions simplifiée - Capital de 12 900 000 € - 70, rue Playel, 93285 Saint-Denis Cedex - France - B 306 486 408 RCS Bobigny



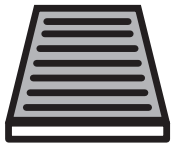
PROTECT

combined with active carbon



698716

FH207



CA

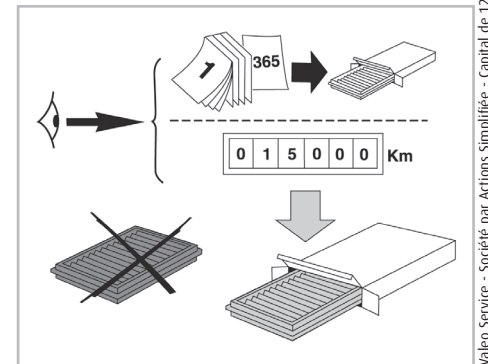
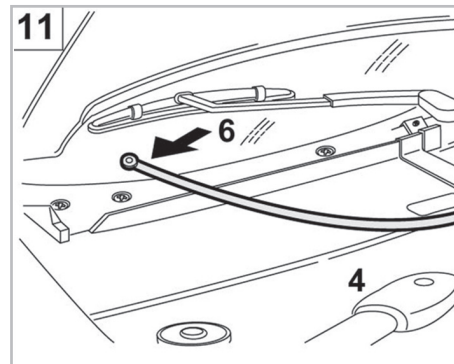
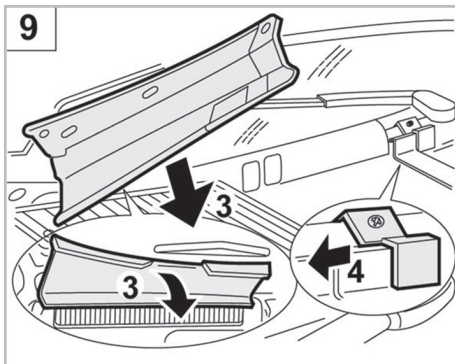
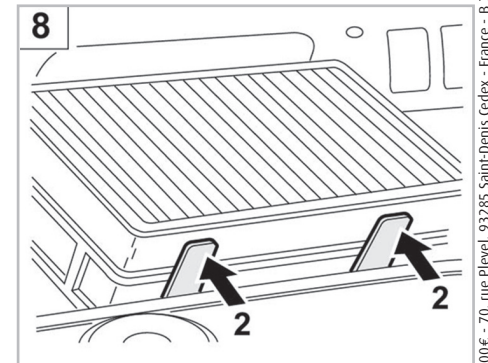
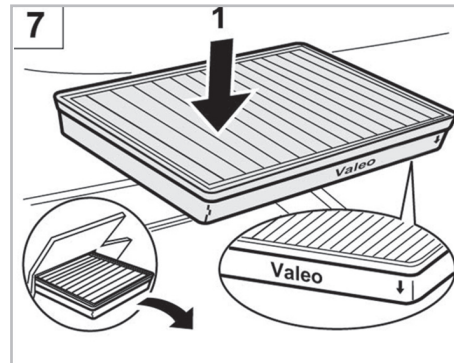
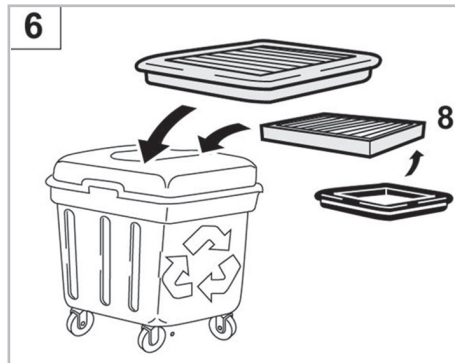
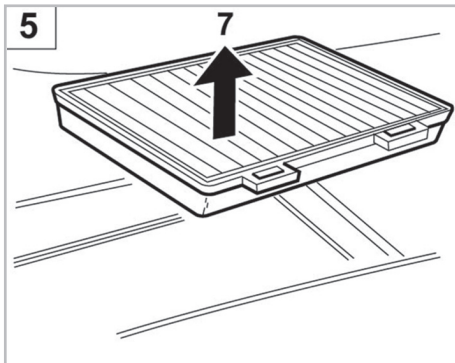
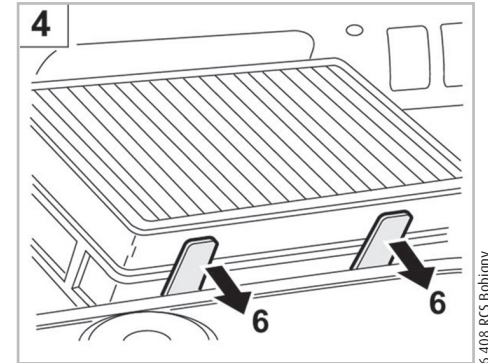
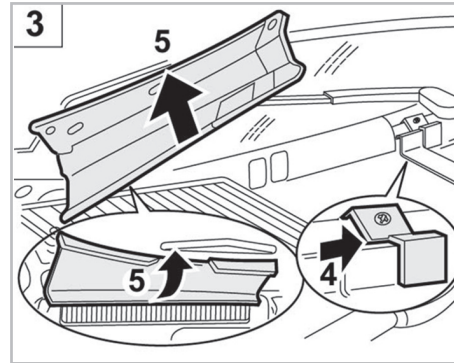
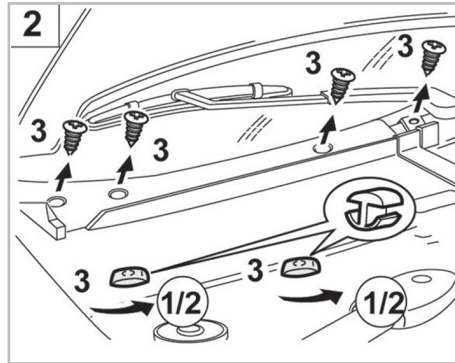
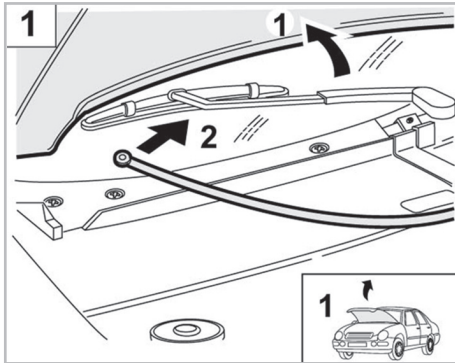
WANT TO KNOW MORE?



www.valeo-techassist.com

FOR

VOLKSWAGEN GOLF IV A/C+/- (10/97 > 10/03) / BORA A/C+/- (09/98 > 07/05) / POLO A/C+/- (10/99 > 09/01)



Valeo Service - Société par Actions simplifiée - Capital de 12 900 000€ - 70, rue Playel, 93285 Saint-Denis Cedex - France - B 306 486 408 RCS Bobigny